



SHOTBLASTING MACHINES

GRANIGLIATRICI
A GANCIO SERIE "PG"
SHOTBLASTING MACHINES
EQUIPPED WITH HOOK
GRENAILLEUSES
A CHARGES SUSPENDUES TYPE "PG"

COGEIM EUROPE S.r.l. - CASOREZZO (MI) - ITALY Tel. 02/90380317 Fax. 02/90296850



PORTATE AL GANCIO
DA 400 A 1000 Kg
HOOK CAPACITIES
FROM 400 UP TO 1000 Kgs
CAPACITE DE CHARGE
AU CROCHET
DE 400 A 1000 Kg.

DOTAZIONI DI SERIE: Porte automatiche,

Introduzione ed estrazione automatica grappolo.

OPZIONI: Variazione di velocità turbine,

Carrello gancio automotore, Scambio su rotaia, PLC di gestione con memorizzazione programmi.

STANDARD EQUIPMENT: Automatic doors, Inlet/outlet automatic conveying system.

OPTIONAL: Wheels adjustable speeds - Motorised trolleys, Exchange device on monorail, Computerised control with programs storage.

UNA VALIDA SOLUZIONE PER
DIVERSE APPLICAZIONI
A SUITABLE SOLUTION FOR MANY
APPLICATIONS
UNE SOLUTION ADEQUATE POUR
PLUSIEURS APPLICATIONS

TIPO TYPE TYPE	DIMENSIONE INGRESSO INLET CLEARANCE DIMENSIONS DE PASSAGE DxH mm	PESO MAX MAX WEIGHT POIDS MAXI Kg	N. TURBINE NUMBER OF WHEELS N. DE TURBINES	POTENZA TURBINE WHEELS POWER PUISSANCE TURBINES Kw
PG 8 x 12	800 x 1200	400	2	5,5
PG 10 x 15	1000 x 1500	600	2	7,5
PG 13 x 20	1300 x 2000	1000	3	7,5



DOTATIONS DE SERIE: Portes automatiques, Entraînement automatique du crochet.

OPTIONS: Variateurs vitesse turbine, Trolley motorisé, Aiguillage sur convoyeur, Automate programmable avec mémorisation des programmes.

Sawyer and Smith Corporation

5412 Homegardner Road
Castalia, Ohio 44824
Ph: 419.951.4818
Fax: 419.951.4822

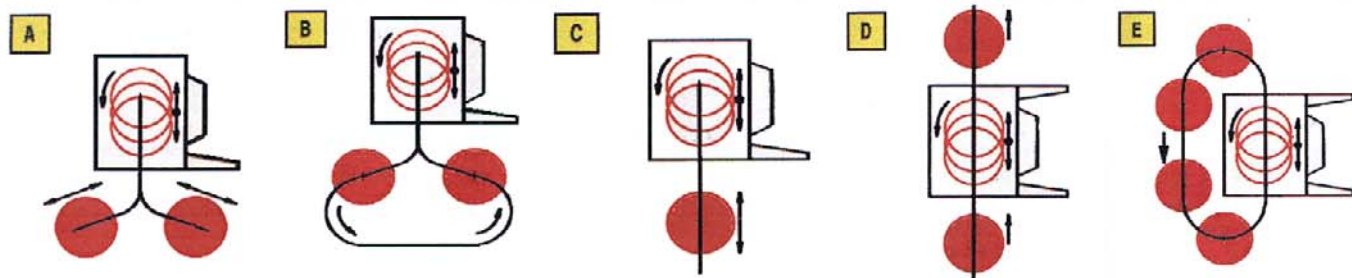
sales@shotblastingequipment.biz
www.shotblastingequipment.biz



ALCUNI TIPI DI VIA AEREA UTILIZZATI

SOME TYPES OF MONORAILS

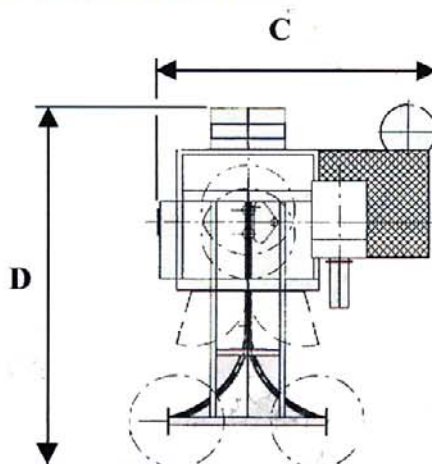
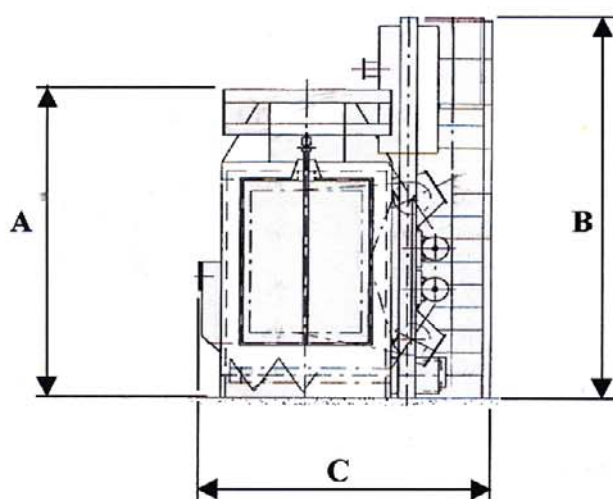
DIFFERENTS TYPES DE CONVOYEURS AERIENS UTILISES



DIMENSIONI D' INGOMBRO

OVERALL DIMENSIONS

DIMENSIONS D'ENCOMBREMENT

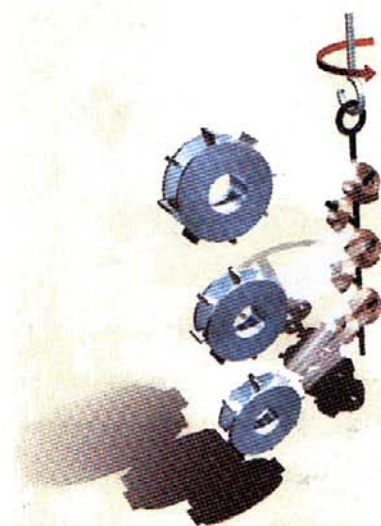
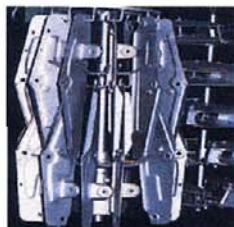


Macchina tipo Machine type Grenailleuse type	A	B	C	D
PG 8 x 12	3010	3700	2400	3200
PG 10 x 15	3410	4200	2840	4600
PG 13 x 20	4350	5450	3650	5000

ESEMPI APPLICATIVI

APPLICATION EXAMPLES

EXEMPLES D'APPLICATION



COGEIM EUROPE

SHOTBLASTING MACHINES

GRANGLIATRICI
SHOTBLASTING MACHINES
GRENAILLEUSES

UFFICI E STABILIMENTI - WORKS - BUREAUX ET USINES:

20010 CASOREZZO (MI) - Via Villapia, 9/11
20010 CASOREZZO (MI) - Strada per Busto Garolfo
Tel. 02 90380520 - 02 9010565 - Fax 02 90296850
E-mail: cogeimeurope@libero.it

SEDE LEGALE - REGISTERED OFFICE - DOMICILE LEGAL:

21052 BUSTO ARSIZIO (VA) - Via Zappellini, 6
cod. Fisc. e Part. IVA 02400760126
C.C.L.A.A. Varese 70304/1997
R.E.A. 254895



March 1, 2010

Contact information update:

We have begun the long arduous process of moving our office.
Please continue to direct mail to:

Sawyer and Smith Corporation
5412 Homegardner Road
Castalia, Ohio 44824

All phone contact to:
423.289.6894

All other email and website information remains the same. You can contact us at any of the existing web addresses. Email is received remotely and responded to more quickly and efficiently than a phone message. If you call the office, please leave a thorough message INCLUDING your email address so that we can send you the required information as soon as possible.

Thank You.