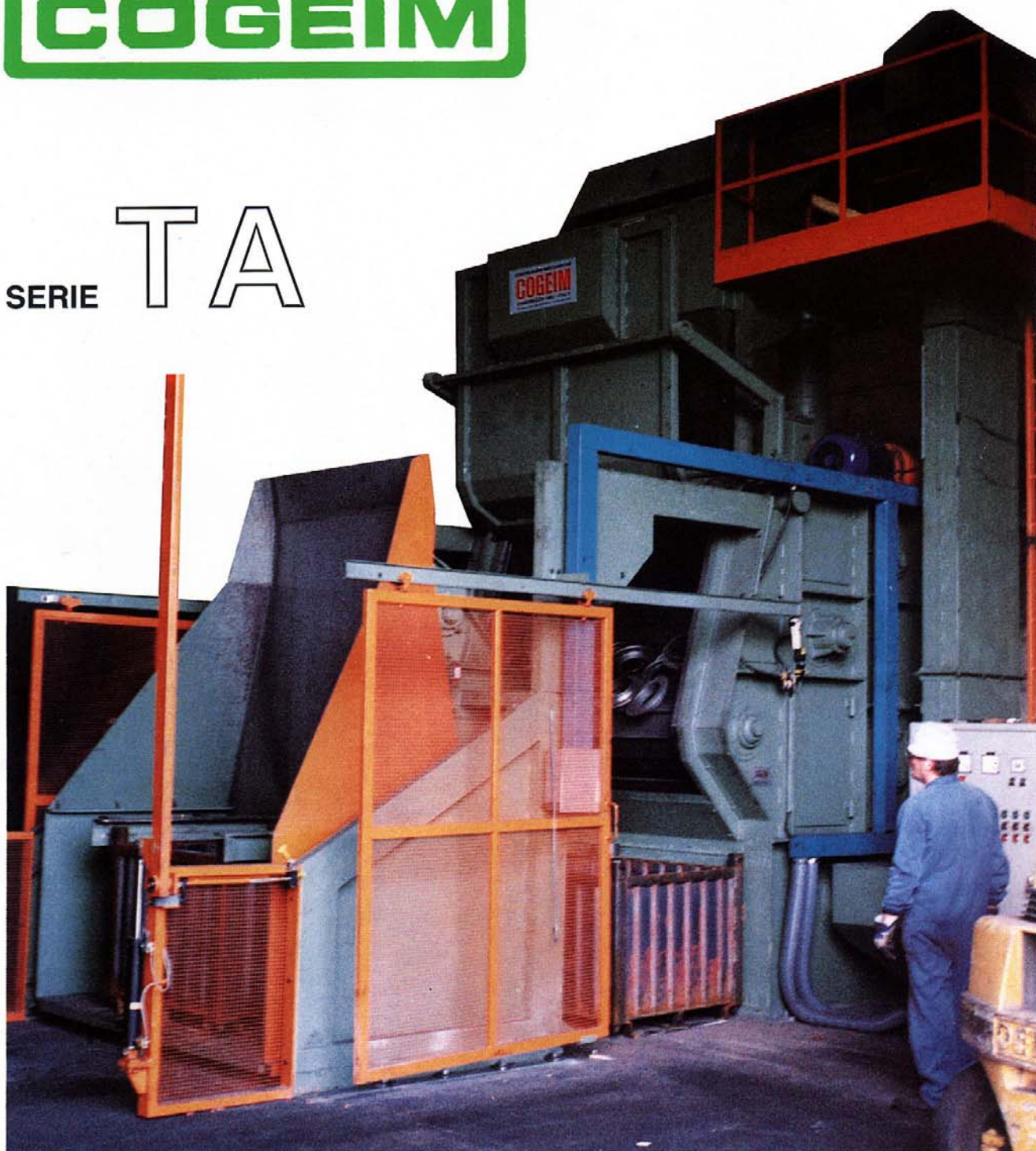


# COGEIM

SERIE TA



**GRANIGLIATRICI A  
TAPPETO IN ACCIAIO**

Granigliatrice a turbina con proiezione centrifuga della graniglia ad altissimo rendimento.

Adatta al trattamento di pezzi di medie dimensioni di ghisa, acciaio, bronzo ecc.

Non occorrono fondazioni.

**BLAST CLEANING BARRELS  
MOD. STEEL SLATS CONVEYOR**

*Wheels shot blast machines with centrifugal projection of shot having a very high efficiency.*

*Suitable for treatment of medium size pieces in cast-iron, steel, bronze, etc.*

*Foundation not required.*

**GRENAILLEUSE A TAPIS  
EN ACIER**

Grenailleuse à turbine avec projection centrifuge de la grenaille d'haute débit.

On la conseille surtout pour le traitement de pièces de dimensions moyennes en fonte, acier, bronze, etc.

Fondations pas nécessaires.

**STAHLBAND-  
SCHLEUDERSTRAHLMASCHINEN**

Turbineschleuderstrahlmaschine mit zentrifugalem Wurf des Kieses zu sehr hoher Leistung.

Sie ist für die Behandlung von Stücken aus Gusseisen, Stahl, Bronze u.s.w. von Mittelabmessungen geeignet.

Keine Fundamente sind verlangt.

COSTRUZIONI MECCANICHE

**COGEIM** s.r.l.

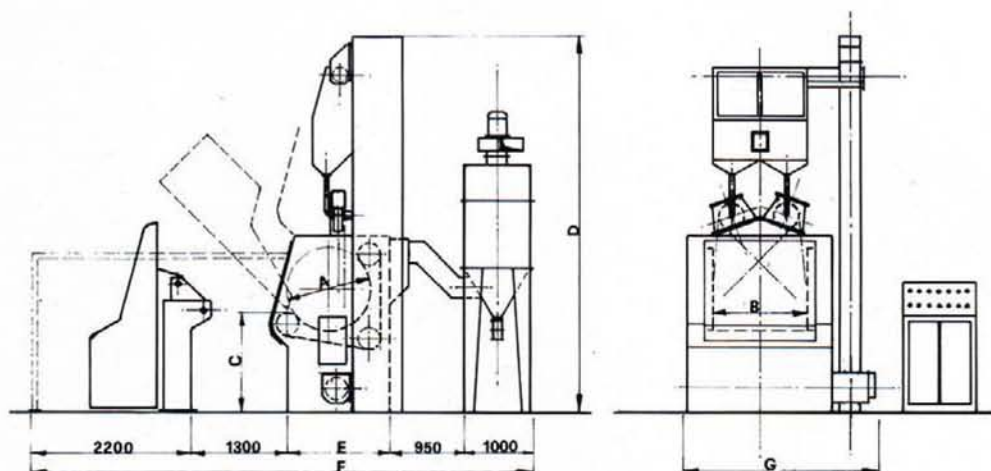
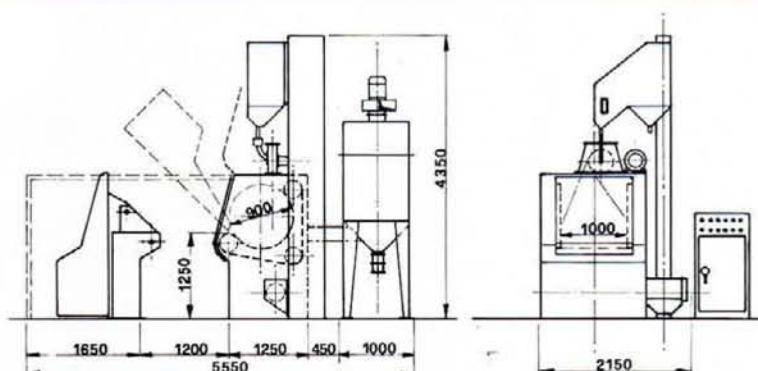
20010 CASOREZZO (MI) Italia - Str. Prov. per Busto G.  
Tel. (02) 9010565-90296347 - Fax (02) 90296850



Sawyer and Smith Corporation

5412 Homegardner Road  
Castalia, Ohio 44824  
Ph: 419.951.4818  
Fax: 419.951.4822  
sales@shotblastingequipment.biz  
www.shotblastingequipment.biz

TA-8



	A	B	C	D	E	F	G
TA 16	1100	1400	1480	5000	1450	6900	2800
TA 20	1100	1600	1480	5000	1450	6900	3000
TA 30	1400	1700	1800	6800	1650	7100	3500

		TA 8	TA 16	TA 20	TA 30
Potenza motore turbina Wheel motor power Puissance moteur turbine Antriebsleistung schleuderrad	CV.	15	20 + 20	25 + 25	40 + 40
Volume di carica Batch capacity Volume de chargement Füllvolumen	dm. <sup>3</sup>	280	600	690	1180
Carico massimo Maximum loading Chargement maximum Max. Beladung	Kg.	1000	1600	2000	3000

March 1, 2010

Contact information update:

We have begun the long arduous process of moving our office.  
Please continue to direct mail to:

Sawyer and Smith Corporation  
5412 Homegardner Road  
Castalia, Ohio 44824

All phone contact to:  
423.289.6894

All other email and website information remains the same. You can contact us at any of the existing web addresses. Email is received remotely and responded to more quickly and efficiently than a phone message. If you call the office, please leave a thorough message INCLUDING your email address so that we can send you the required information as soon as possible.

Thank You.