

SERIE **TG**

Sawyer and Smith Corporation



5412 Homegardner Road

Castalia, Ohio 44824

Ph: 419.951.4818

Fax: 419.951.4822

sales@shotblastingequipment.biz

www.shotblastingequipment.biz



**GRANIGLIATRICI A
TAPPETO IN GOMMA**

Granigliatrice a turbina con proiezione centrifuga della graniglia ad altissimo rendimento.

Adatta al trattamento di minuteria e pezzi di medie dimensioni di ghisa, acciaio, alluminio, bronzo ecc.

Non occorrono fondazioni.

**RUBBER CONVEYOR
SHOT BLASTING MACHINES**

Wheels shot blasting machine with centrifugal projection of shot having a very high efficiency.

Suitable for treatment of findings and medium size pieces in cast-iron, steel, aluminium, bronze, etc.

Foundation not required.

**GRANAILLEUSE A TAPIS
EN CAOUTCHOUC**

Grenailleus à turbine avec projection centrifuge de grenaille d'haute débit.

Conseillée surtout pour le traitement de minuterie et pièces de dimensions moyennes en fonte, acier, aluminium, bronze, etc.

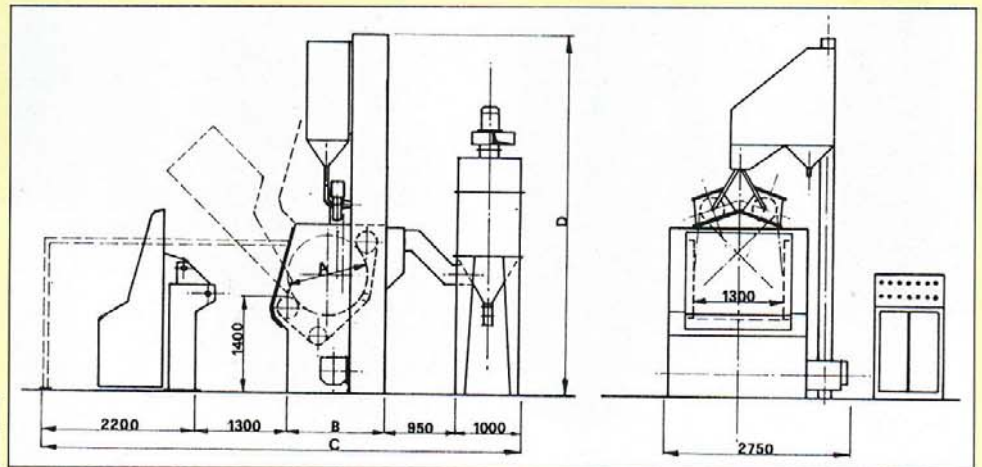
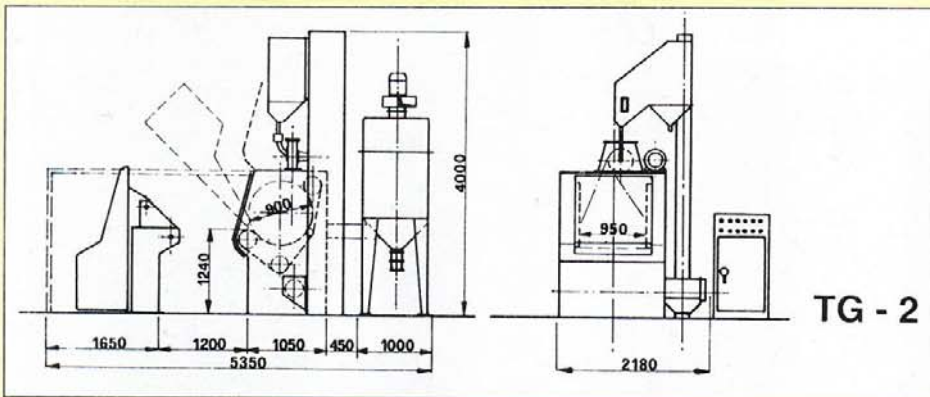
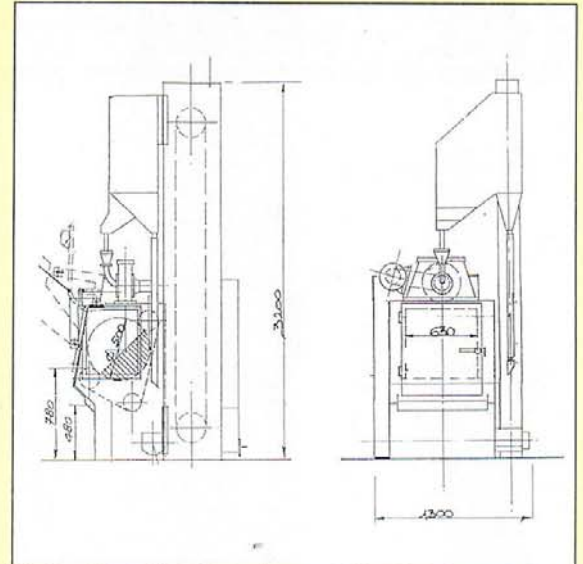
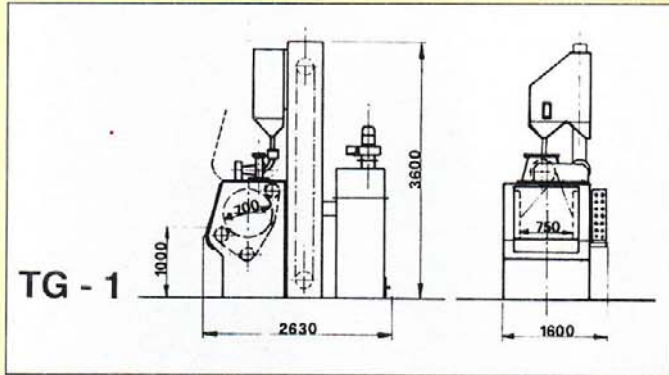
Fondations pas nécessaires.

**GUMMIBAND -
SCHLEUDERSTRAHLMASCHINEN**

Turbineschleuderstrahlmaschine mit zentrifugalem Wurf des Kieselsteines zu sehr hoher Leistung.

Sie ist für die Behandlung von Kleinteilen und Stücke aus Gusseisen, Stahl, Aluminium, Bronze u.s.w. von Mittelabmessungen geeignet.

Keine Fundamente sind verlangt.



	A	B	C	D
TG - 4	1150	1400	6850	5200
TG - 5	1300	1520	6970	5400

		TG - 0,3	TG - 1	TG - 2	TG - 4	TG - 5
Potenza motore turbina Turbine motor power Puissance moteur turbine Antriebsleistung schleuderrad	Kw.	4	5,5	7,5	7,5 + 7,5 11 + 11	7,5 + 7,5 11 + 11
Volume di carica Loading volume Volume de chargement Füllvolumen	dm. ³	40	120	270	560	720
Carico massimo Maximum loading Chargement maximum Max. Beladung	Kg.	50	200	400	800	1000

March 1, 2010

Contact information update:

We have begun the long arduous process of moving our office.
Please continue to direct mail to:

Sawyer and Smith Corporation
5412 Homegardner Road
Castalia, Ohio 44824

All phone contact to:
423.289.6894

All other email and website information remains the same. You can contact us at any of the existing web addresses. Email is received remotely and responded to more quickly and efficiently than a phone message. If you call the office, please leave a thorough message INCLUDING your email address so that we can send you the required information as soon as possible.

Thank You.